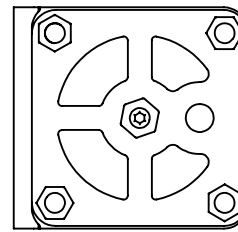
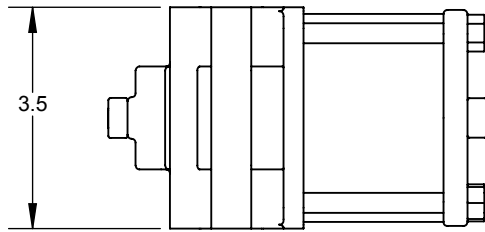
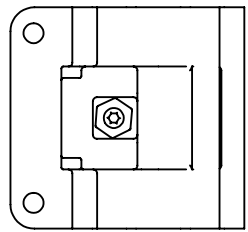


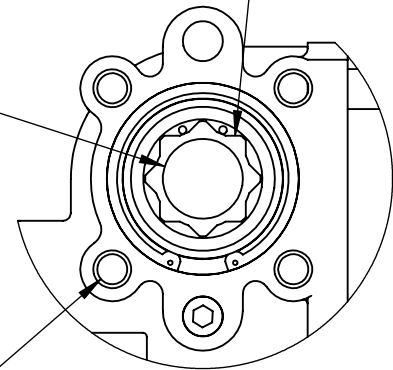
Pressure port  
1/4 NPT

Outward stop

0.67 Double Square x 1" Dp female  
drive on both sides. Each side converts  
to NAMUR #1 geometry via supplied  
top hat and face plate.

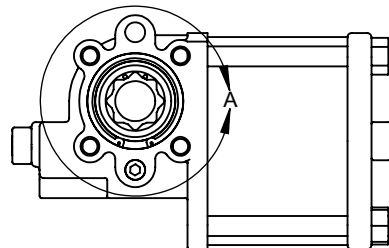


Ø 5/8 Thru hole



ISO 5211 F05 BCD  
Qty 4, M6-0.8 x 1/2" Dp  
on 1.97" BCD both sides

DETAIL A  
SCALE 2 : 3



DIMENSIONS ARE IN INCHES TOLERANCES except as shown		NAME	DATE
FRACTIONAL: ±		DRAWN	EH 4/17/09
ANGULAR: ±		Rev B	
2 PLACE DECIMAL: ±		Rev C	
3 PLACE DECIMAL: ±		Rev D	
MATERIAL		Rev E	
PROCESS			
DO NOT SCALE DRAWING			

**QTRCO, Inc.**

Dimensional Drawing  
QD03DA and QS03DA

SIZE **A** DWG. NO. QD03DA-DIM-001A

WEIGHT (Pounds): 6 1/2

SHEET \_\_\_\_ OF \_\_\_\_  
1 of 1 if not shown

**PROPRIETARY AND CONFIDENTIAL**

THE INFORMATION CONTAINED IN THIS  
DRAWING IS THE SOLE PROPERTY OF  
QTRCO, INC. ANY REPRODUCTION IN  
PART OR AS A WHOLE WITHOUT THE  
WRITTEN PERMISSION OF QTRCO, INC.  
IS PROHIBITED.