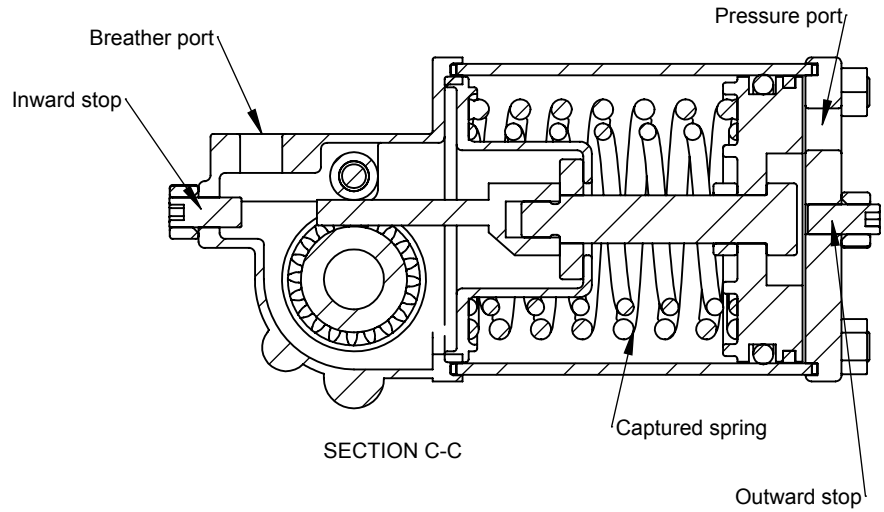
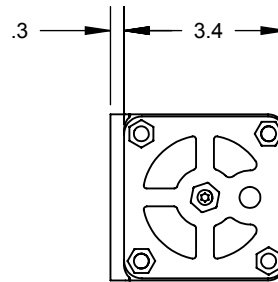


Center of gravity

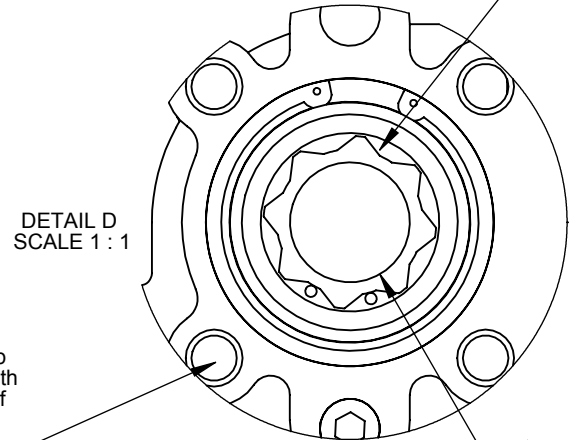


SECTION C-C



0.67" Double square x 1" Dp on both sides of the actuator. Each side is convertible to NAMUR #1 male geometry via Q03 Top Hat and face plate.

DETAIL D
SCALE 1 : 1



ISO 5211 F05 BCD
Qty 4, M6-0.8 x 1/2" Dp
holes on 1.97" BCD both
top and bottom sides of
the actuator

Ø5/8" thru hole

PROPRIETARY AND CONFIDENTIAL

THE INFORMATION CONTAINED IN THIS DRAWING IS THE SOLE PROPERTY OF QTRCO, INC. ANY REPRODUCTION IN PART OR AS A WHOLE WITHOUT THE WRITTEN PERMISSION OF QTRCO, INC. IS PROHIBITED.

DIMENSIONS ARE IN INCHES
TOLERANCES except as shown
FRACTIONAL: ±
ANGULAR: ±
2 PLACE DECIMAL: ±
3 PLACE DECIMAL: ±

MATERIAL

PROCESS

DO NOT SCALE DRAWING

	NAME	DATE
DRAWN	EH	2/10/09
Rev B		
Rev C		
Rev D		
Rev E		

QTRCO, Inc.

Dimensional Drawing
QD03SR and QS03SR

SIZE **A** DWG. NO. QD03SR-DIM-001A

WEIGHT (Pounds): 8.5

SHEET ____ OF ____
1 of 1 if not shown