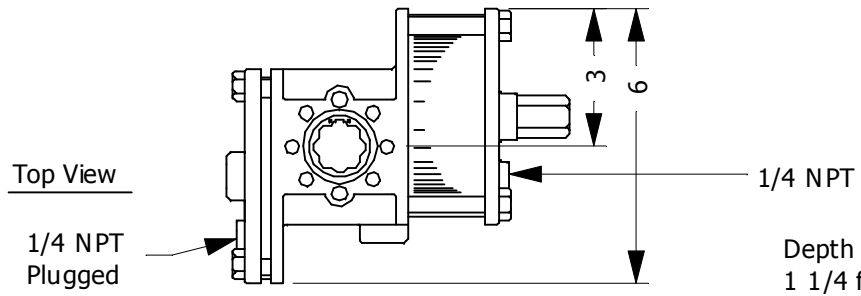
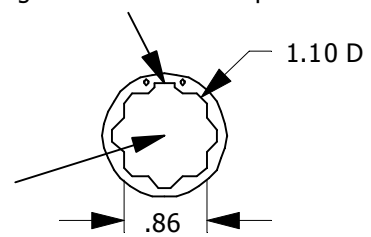


Use QTRCO Namur drive adapter R05C140 and Namur plate R05C620 to make either top or bottom ends fully Namur compatible

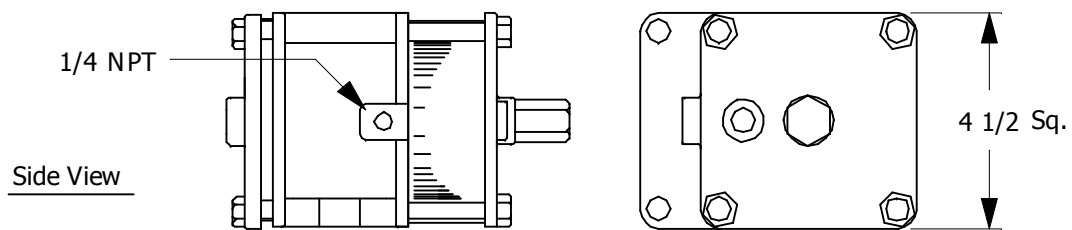


Double square female shaft. Tooth indicated by recessed dots is oversized on corners to enable unidirectional engagement of stem adapter



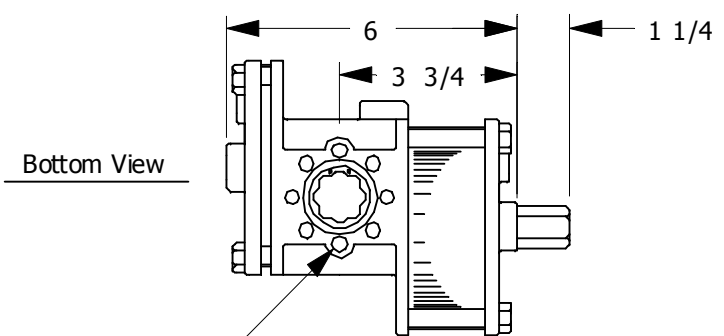
Depth of shaft recess is 1 1/4 from face of body

Use QTRCO Shaft adapter R05C130 with applicable Bore Geometry to adapt female shaft of actuator to the valve shaft



Top and Bottom Female Shaft Dimensions

If valve top plate dimensions do not meet ISO 5211 size F05 use QTRCO Universal Transition mounting plate R051206, drilled and tapped to suit valve mounting, to mount actuator to valve without brackets or couplings. Fasteners for mounting plate to actuator are included.



1/4 NPT Pipe Threads, 3 Locations (Marked NPT). End Cap Ports (Qty 1 each) Drive Pistons Inward And Produce Counter-Clockwise Motion (Looking Down On Top Of Actuator). Body Port (Qty 1) Drives Pistons Outward.

Top and Bottom Ends - Qty 8 M6 Threaded Bolt Holes On 1.97 BCD F05, 1/2 Deep. Only 4 Bolts Required For Mounting To Valve (ISO 5211 size F05)

QTRCO, Inc.
11250A Timber Tech Ave.
Tomball, TX 77375
Phone 281-516-0277

Recipient:

Quotation:

Order:

Submittal Date:

All dimensions are inches except as shown

Q04DA Double Acting Dimensional Data Sheet Stainless Steel
Dwg DQ04DA Rev B
By: EGH 6/6/00