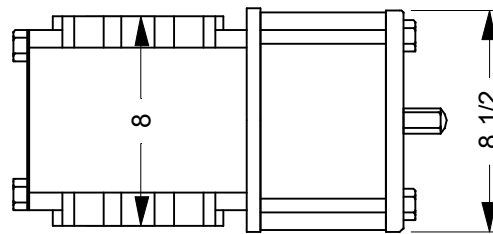


NPT pipe threads 2 locations. Pressurizing ports labeled 1/4 FNPT (A) pushes pistons inward to cause counter-clockwise shaft rotation as observed from top view. Pressure to (B) ports forces pistons outward causing clockwise shaft rotation.

Use Namur drive adapter R14S520 to make either top or bottom ends fully Namur compatible. Height of Namur drive = 30 mm

Use QTRCO shaft adapter R14S510 with applicable bore geometry to adapt female actuator shaft to male valve shaft

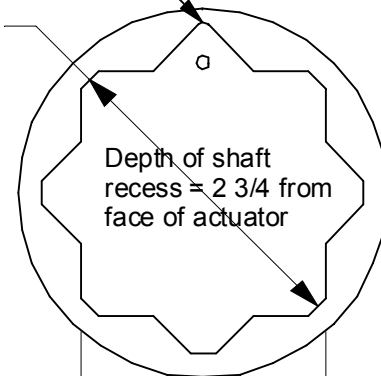
Top and bottom side bolt hole patterns are: 8 holes on 5.51 BCD, tapped M16-2 x 1 deep (Meets ISO 5211 size F14)



Side View

Double square female shaft. Tooth indicated by recessed dot is pointed for alignment of shaft adapter

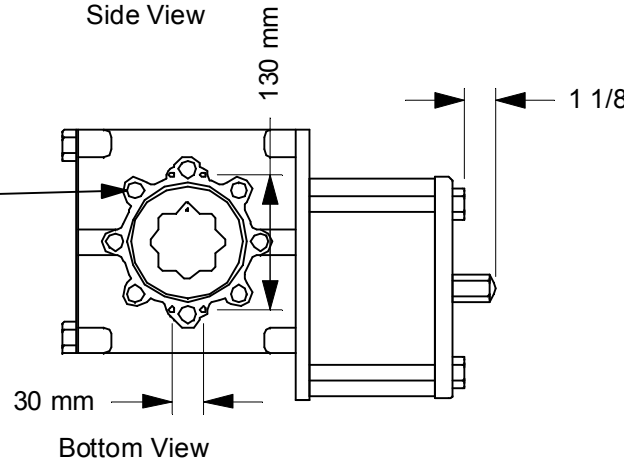
2.83 D



Depth of shaft recess $\approx 2 \frac{3}{4}$ from face of actuator

2.16

Top and bottom female shaft dimensions



Bottom View

All dimensions are inches except as shown

Recipient:
 Quotation:
 Order:
 Submittal date:

QTRCO, Inc
Q12DA Double Acting Dimensional Data Sheet Stainless Steel
Dwg DQ12DA Rev A
By: EGH 6/13/00