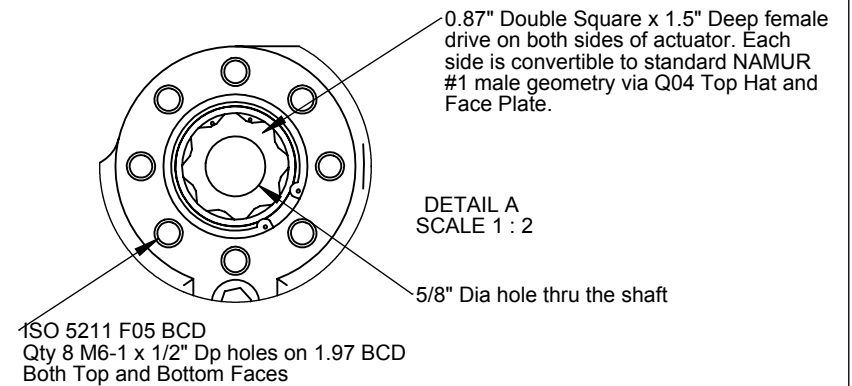
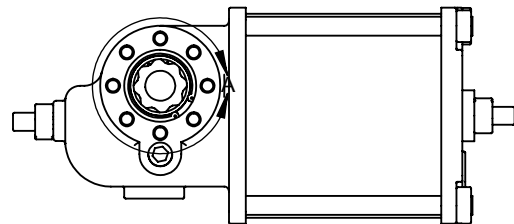
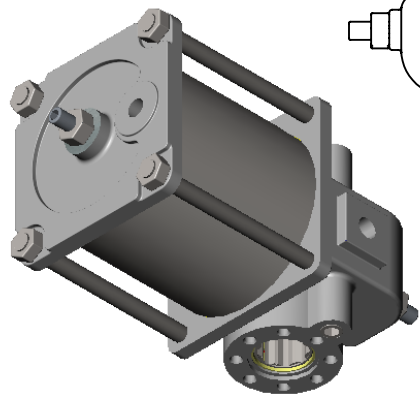
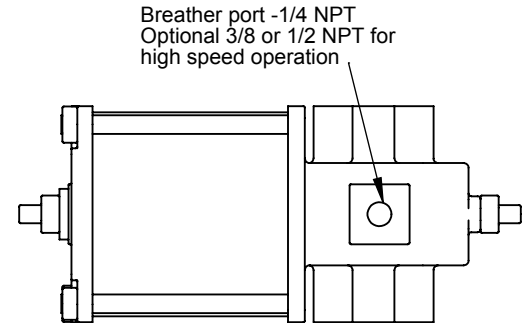
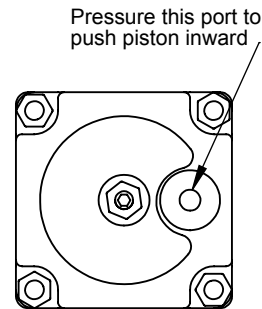
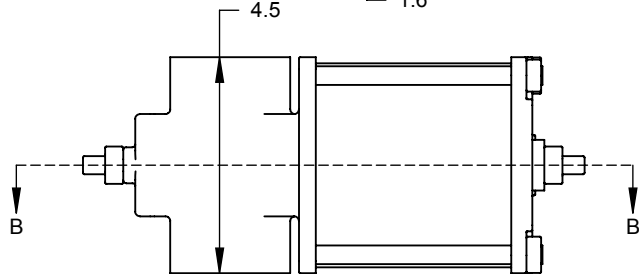
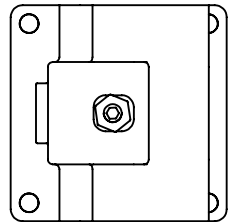
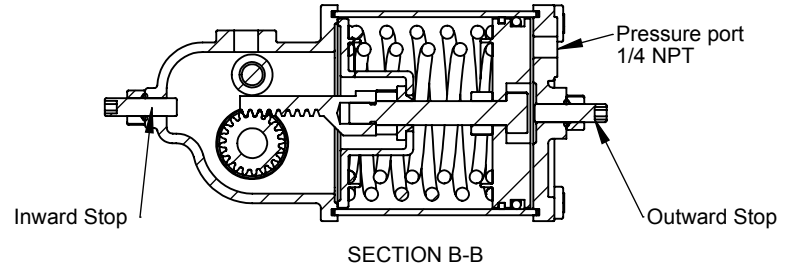
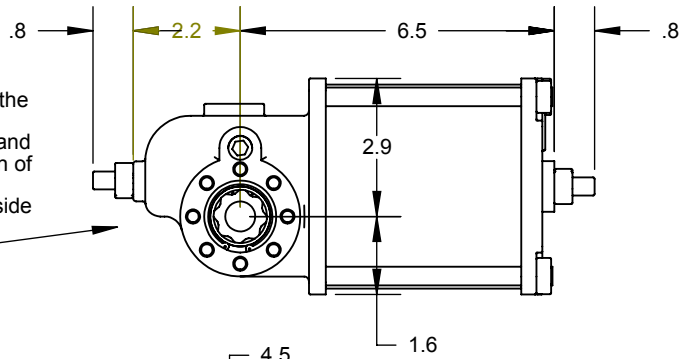


In this view, applying pressure to the pressure port will push the piston inward, compressing the springs and causing counter clockwise rotation of the shaft. This is typical for a Fail Closed operation. Turn the this side against the valve for Fail Open operation.



ISO 5211 F05 BCD
Qty 8 M6-1 x 1/2" Dp holes on 1.97 BCD
Both Top and Bottom Faces

DIMENSIONS ARE IN INCHES TOLERANCES except as shown FRACTIONAL: ± ANGULAR: ± 2 PLACE DECIMAL: ± 3 PLACE DECIMAL: ±		NAME	DATE	QTRCO, Inc.
MATERIAL		DRAWN	EH 01/08/09	
PROCESS		Rev B		SIZE A DWG. NO. QD04SR-Dim-001A
DO NOT SCALE DRAWING		Rev C		
PROPRIETARY AND CONFIDENTIAL THE INFORMATION CONTAINED IN THIS DRAWING IS THE SOLE PROPERTY OF QTRCO, INC. ANY REPRODUCTION IN PART OR AS A WHOLE WITHOUT THE WRITTEN PERMISSION OF QTRCO, INC. IS PROHIBITED.		Rev D		SHEET ____ OF ____ 1 of 1 if not shown
		Rev E		
		Scale 1:4		