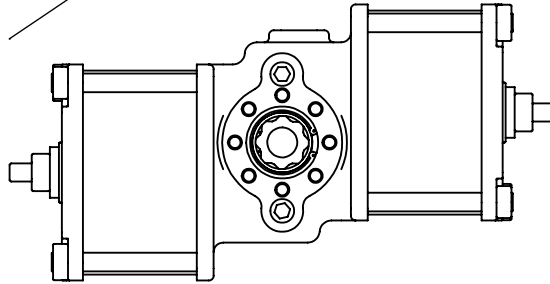
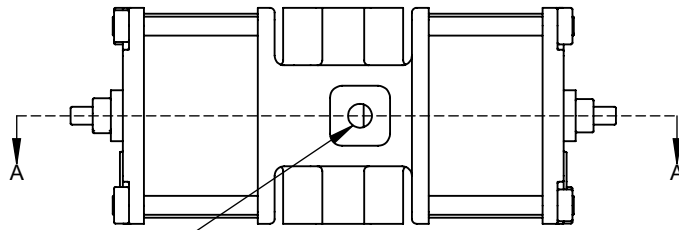
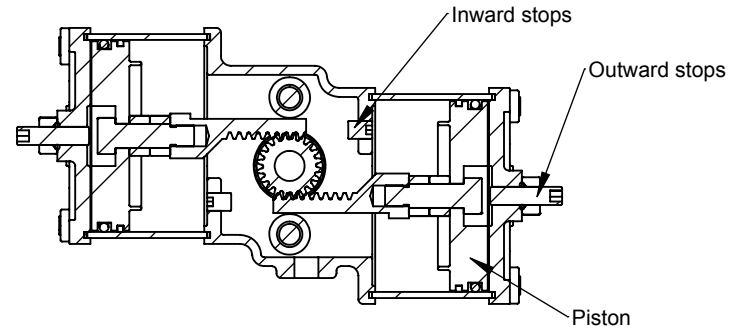
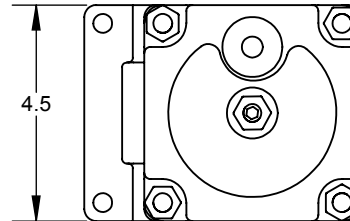
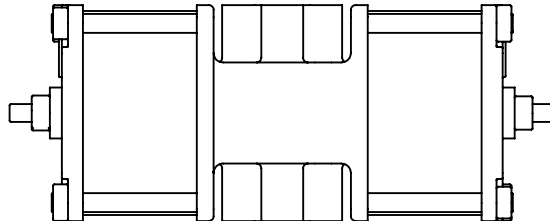
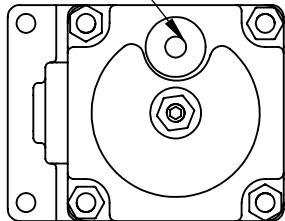


1/4" NPT Pressure Port. Apply pressure to move pistons outward.

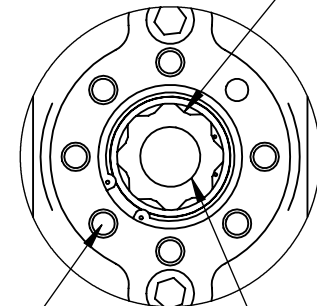
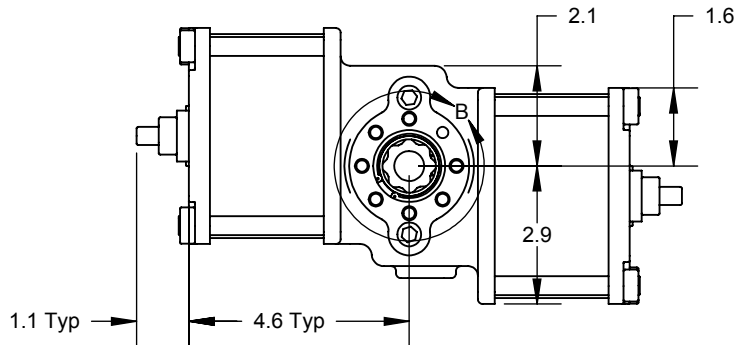


1/4" NPT Pressure Port - Both end caps. Apply pressure to move pistons inward.



SECTION A-A

0.87" Double square x 1.5" Dp female drive on both sides of actuator. Each side is convertible to standard NAMUR #12 male geometry via Q05 Top Hat and Face Plate.



ISO 5211 F05 BCD Qty 8, M6-0.8 x 1/2" Dp holes on 1.97" BCD both top and bottom sides

DETAIL B SCALE 1 : 2

PROPRIETARY AND CONFIDENTIAL

THE INFORMATION CONTAINED IN THIS DRAWING IS THE SOLE PROPERTY OF QTRCO, INC. ANY REPRODUCTION IN PART OR AS A WHOLE WITHOUT THE WRITTEN PERMISSION OF QTRCO, INC. IS PROHIBITED.

DIMENSIONS ARE IN INCHES
TOLERANCES except as shown
FRACTIONAL: ±
ANGULAR: ±
2 PLACE DECIMAL: ±
3 PLACE DECIMAL: ±

MATERIAL
PROCESS
DO NOT SCALE DRAWING

NAME	DATE
EH	2/4/09
Rev B	
Rev C	
Rev D	
Rev E	

QTRCO, Inc.

Dimensional Drawing
QD05DA and QS05DA

SIZE **A** DWG. NO. QD05DA-DIM-001A

WEIGHT (Pounds): **22** SHEET ____ OF ____
1 of 1 if not shown