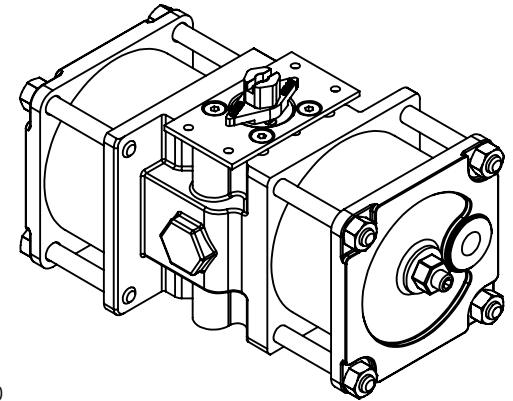
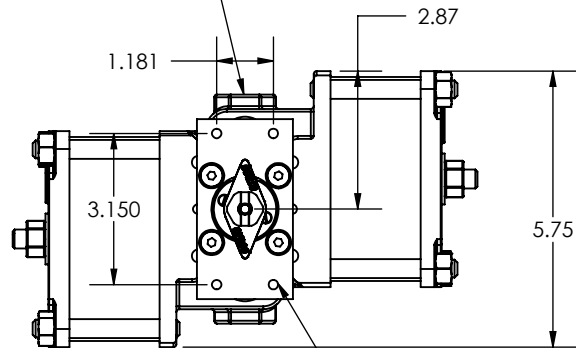


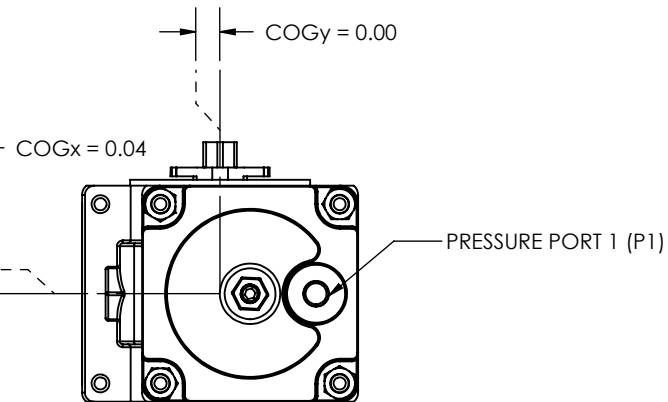
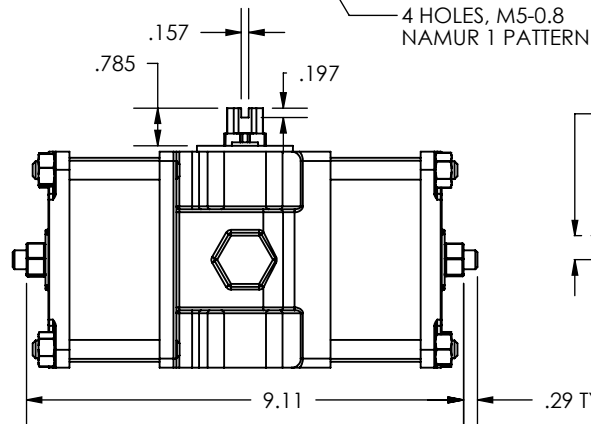
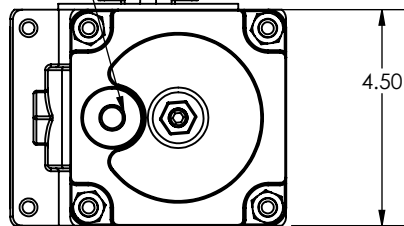
A B C D E F G H J K

1
2
3
4
5
6

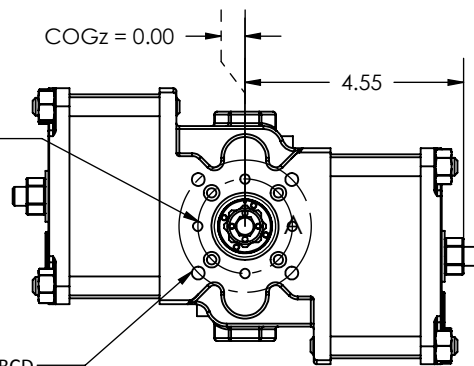
PRESSURE PORT 3 (P3)



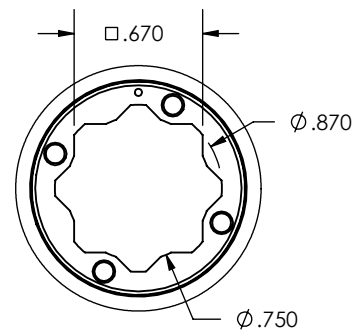
PRESSURE PORT 2 (P2)



8x M6-1.0 ∇ .625
F05 PATTERN, 1.969 BCD



4x M8-1.25 ∇ .625
F07 PATTERN, 2.756 BCD



DETAIL A
SCALE 1 : 1

SHOWN WITH NAMUR MOUNTING PLATE AND ACCESSORY DRIVE. IDENTICAL MOUNTING PATTERNS AND SHAFT DRIVE EXIST ON BOTH SIDES, NAMUR ACCESSORIES MAY BE MOVED TO OPPOSITE SIDE.

MOUNTING PATTERNS: F05 AND F07

SHAFT: 17MM FEMALE DOUBLE SQUARE, 1.300 INCHES DEEP (MEASURED FROM MOUNTING SURFACE)

PORT SIZES AS ORDERED, 1/4 NPT STANDARD



REV.	DESCRIPTION	DATE	DRAWNBY
A	INITIAL	21-Jan-2014	JRH
B	CORRECTED COG NOTES	10-Jun-2014	JRH

STATUS	APPROVAL
Released	JRH 11 Jun 14

Except as shown, Dimensions are inches and standard Tolerances are:

Fractional +/- N/A
Angular +/- N/A
1 Decimal +/- N/A
2 Decimal +/- N/A
3 Decimal +/- N/A

DESCRIPTION	REVISION
	B

DO NOT SCALE DRAWING
PROPRIETARY AND CONFIDENTIAL
THE INFORMATION CONTAINED IN THIS DRAWING IS THE SOLE PROPERTY OF QTRCO, INC. ANY REPRODUCTION IN PART OR AS A WHOLE WITHOUT THE WRITTEN PERMISSION OF QTRCO, INC. IS PROHIBITED.

MATERIALS AS SPECIFIED BY PRODUCT LINE STANDARDS AND ORDERED OPTIONS. WEIGHT SHOWN WITH HEAVIEST MATERIAL OPTIONS.

DWG. NO.	REVISION	SIZE
Qx205DA-DIM-01	B	A
WEIGHT (Pounds): 21.791	SHEET 1 OF 1 1 of 1 if not shown	