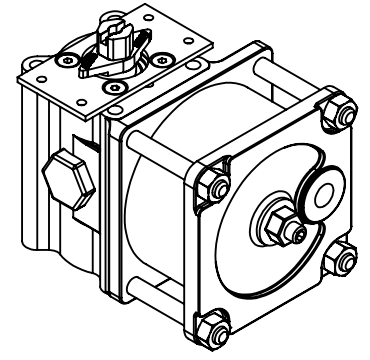
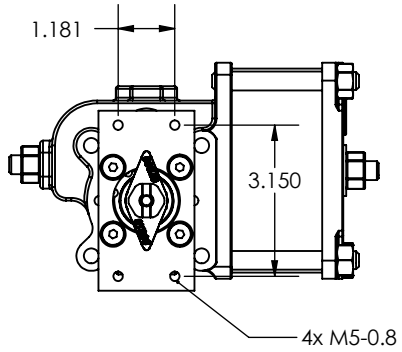
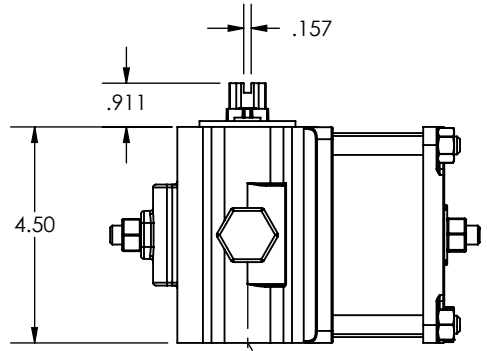
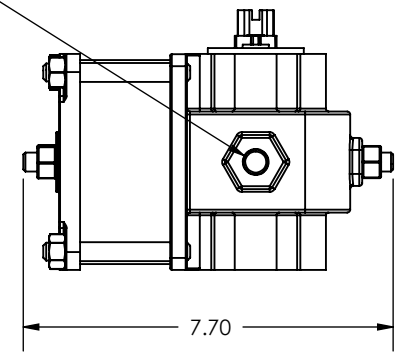
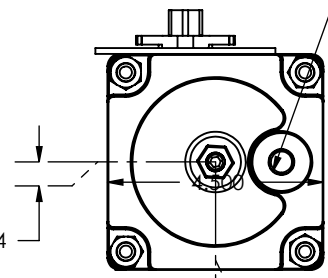


A B C D E F G H J K

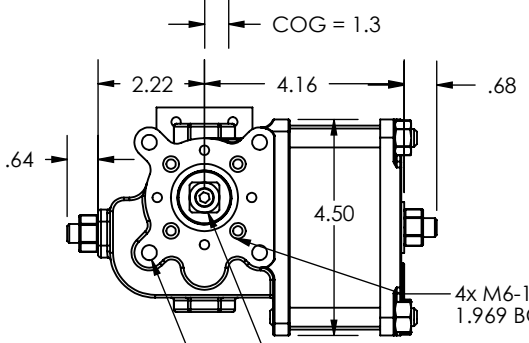
1
2
3
4
5
6



NPT PORTS
(1/4 STANDARD)



COG = 0.4



BOLT CIRCLE ACCORDING
TO REQUIREMENTS

SHAFT SIZE ACCORDING
TO REQUIREMENTS



REV.	DESCRIPTION	DATE	DRAWNBY
A	INITIAL	31-JUL-2014	JRH

STATUS	APPROVAL
Released	JRH 31 Jul 14

Except as shown,
Dimensions are inches and
standard Tolerances are:

- Fractional +/- N/A
- Angular +/- N/A
- 1 Decimal +/- N/A
- 2 Decimal +/- N/A
- 3 Decimal +/- N/A

DESCRIPTION

DO NOT SCALE DRAWING
PROPRIETARY AND CONFIDENTIAL
THE INFORMATION CONTAINED IN THIS
DRAWING IS THE SOLE PROPERTY OF
QTRCO, INC. ANY REPRODUCTION IN
PART OR AS A WHOLE WITHOUT THE
WRITTEN PERMISSION OF QTRCO, INC.
IS PROHIBITED.

MATERIALS AS SPECIFIED BY
PRODUCT LINE STANDARDS
AND ORDERED OPTIONS.
WEIGHT SHOWN WITH
HEAVISET MATERIAL OPTIONS.

DWG. NO.	REVISION
Tx04DA.xxx-DIM-01	A
WEIGHT (Pounds): 14.388	SHEET <u>1</u> OF <u>1</u> 1 of 1 if not shown