

TMLO Lock Out - Tag Out

Whether double acting or spring return, QTRCO Q Series Rack & Gear™ actuators can be locked in the open or closed position, as specified.



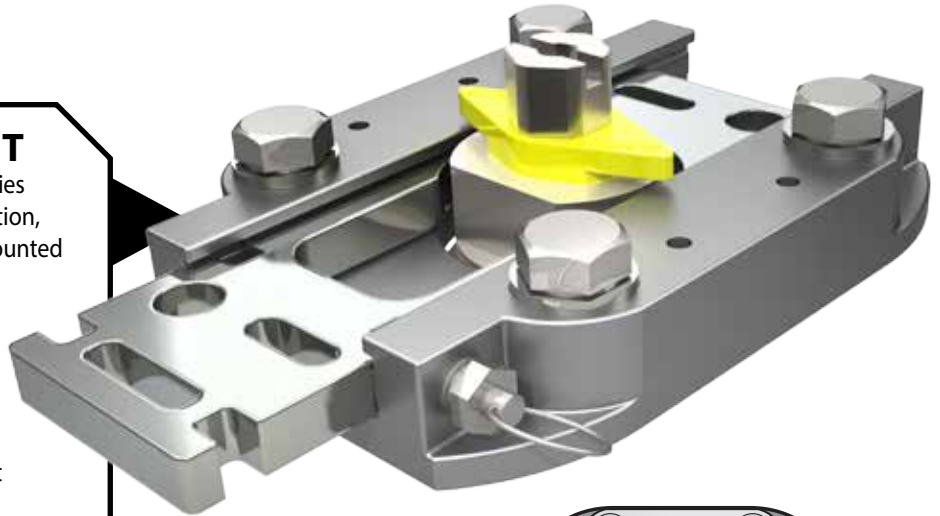
The Leader in Actuator Technology

TMLO LOCK OUT - TAG OUT

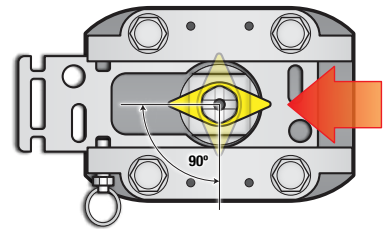
Whether double acting or spring return, the Q series actuators can be locked in the open or closed position, as specified using this simple but effective top mounted lock out (TMLO). Incorporating a simple lock out - tag out device for multiple padlocks enables confirmation that all workers have completed their tasks and are out of harms way before the actuator is once again able to cause valve motion. Padlocks may be used to secure the slide in the engaged or disengaged position to prevent unauthorized use.

POSITIVES:

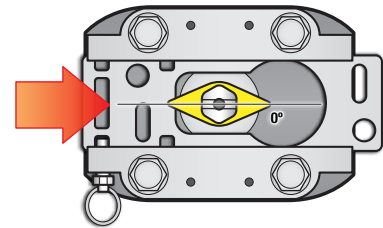
- Low cost, simple, lockable
- No special couplers needed
- Fits any Q Series Rack & Gear™ actuator
- Full Tag-Out/Lock-Out capability
- Retains NAMUR accessory compatibility
- Locks at the open or closed position, as specified by the user.



TMLO not engaged
normal full travel



TMLO engaged
actuator & valve locked
in specified position



Q SERIES - ACCESSORIES

JACKSCREW MANUAL OVERRIDE

The jackscrew is a simple low cost manual override that can be fitted on any Q Series Rack & Gear™ actuator.



NAMUR ACCESSORY MOUNTING

Full NAMUR accessory mounting capability is retained as shown here with the QTRCO produced NAMUR cast bracket.

