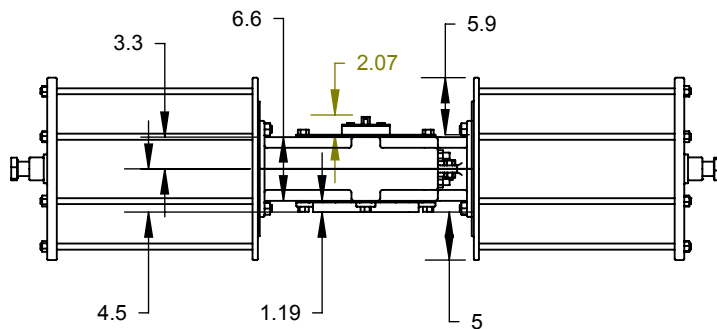
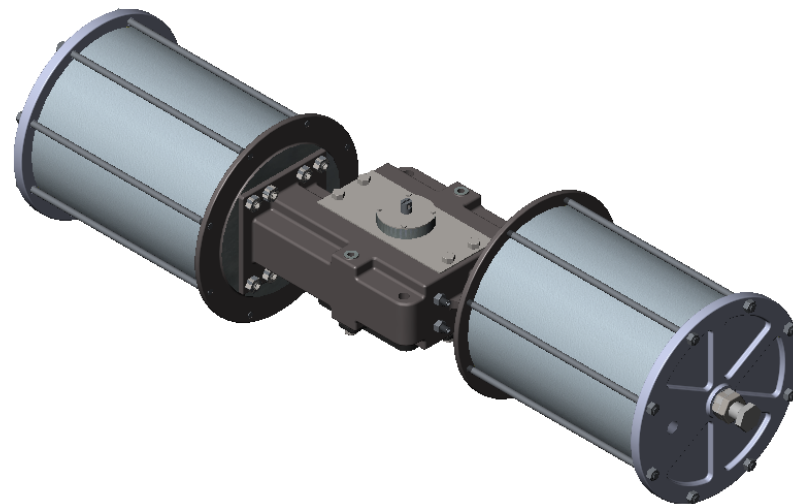


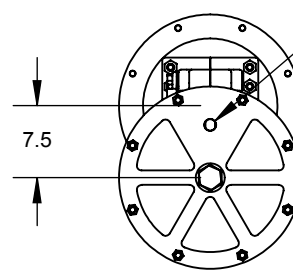
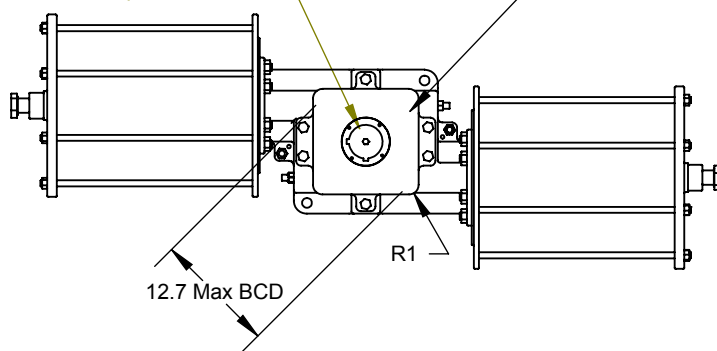
Clear space required for in-line cylinder removal (Both Ends)

Spring causes clockwise rotation when looking down upon the actuator in this view



Ø3.000 Std
2 3/4 Keyways
for 45, 50 and 55 degree 'cant' angles
Call QTRCO for options

ISO F25 Std Mounting Pattern
Options available to suit application



1" NPT Std
Optional up to 2" NPT
Both End Caps

Not to scale - Model is with 16" cylinders but dimensioned as per 12" cylinders.

DIMENSIONS ARE IN INCHES
TOLERANCES except as shown
FRACTIONAL: ±
ANGULAR: ±
2 PLACE DECIMAL: ±
3 PLACE DECIMAL: ±

NAME	DATE
DRAWN	EH 2/5/09
Rev B	
Rev C	
Rev D	
Rev E	

QTRCO, Inc.

Flat Yoke Actuator
F375SR12-19.0

PROPRIETARY AND CONFIDENTIAL

THE INFORMATION CONTAINED IN THIS DRAWING IS THE SOLE PROPERTY OF QTRCO, INC. ANY REPRODUCTION IN PART OR AS A WHOLE WITHOUT THE WRITTEN PERMISSION OF QTRCO, INC. IS PROHIBITED.

MATERIAL	Shown weight is with fiberglass cylinders
PROCESS	
DO NOT SCALE DRAWING	

SIZE **A** DWG. NO. F375SR12-19.0-001A

WEIGHT (Pounds): 725

SHEET 1 OF 1
1 of 1 if not shown