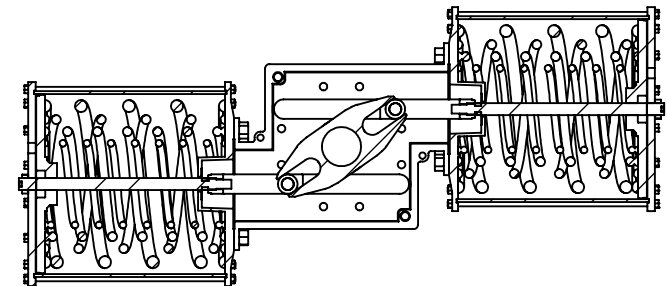
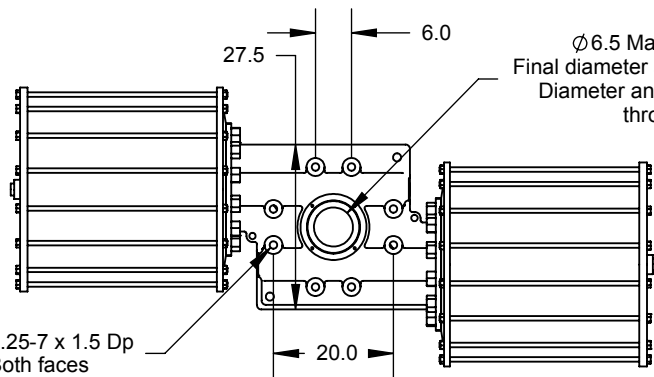


Ø 34.0 Typ  
 Ø 6.5 Max with 3/4 Sq Keys  
 Final diameter and keyways to suit user.  
 Diameter and keyways extend fully through the shaft



SECTION A-A

Turn unit top side down to reverse failure action  
 Center of gravity is on center of actuator

**PROPRIETARY AND CONFIDENTIAL**

THE INFORMATION CONTAINED IN THIS DRAWING IS THE SOLE PROPERTY OF QTRCO, INC. ANY REPRODUCTION IN PART OR AS A WHOLE WITHOUT THE WRITTEN PERMISSION OF QTRCO, INC. IS PROHIBITED.

DIMENSIONS ARE IN INCHES  
 TOLERANCES except as shown  
 FRACTIONAL: ±  
 ANGULAR: ±  
 2 PLACE DECIMAL: ±  
 3 PLACE DECIMAL: ±

MATERIAL  
 Stainless Steel  
 PROCESS  
 DO NOT SCALE DRAWING

NAME	DATE
DRAWN	EH 6/10/09
Rev B	
Rev C	
Rev D	
Rev E	

**QTRCO, Inc.**  
 FS625SR30-S1 Dimensions

SIZE **A** DWG. NO. **F625SR30-S1-DIM-001A**

WEIGHT (Pounds): **5820** SHEET \_\_\_\_ OF \_\_\_\_  
 1 of 1 if not shown