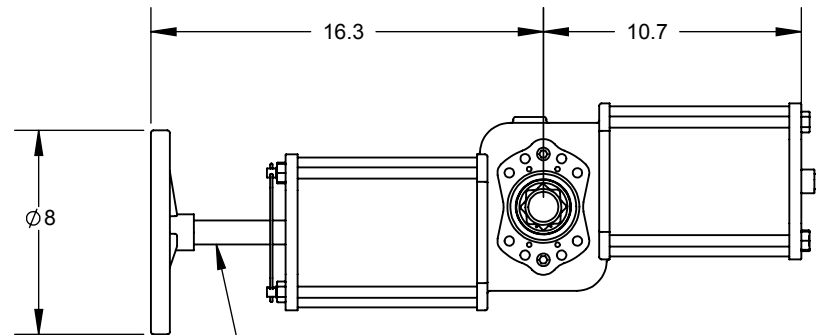
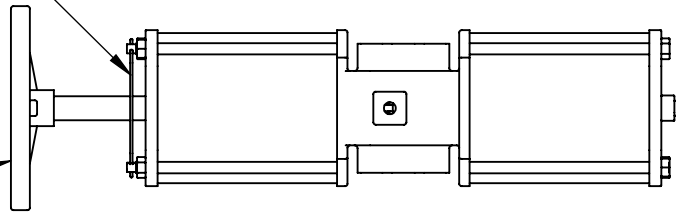


Safety cable to assure tie rod nuts not removed while JS is engaged

Handwheel shown in outer most position



Nitronic 60 to prevent galling

DIMENSIONS ARE IN INCHES  
 TOLERANCES except as shown  
 FRACTIONAL: ±  
 ANGULAR: ±  
 2 PLACE DECIMAL: ±  
 3 PLACE DECIMAL: ±

	NAME	DATE
DRAWN	EH	2/11/10
Rev B		
Rev C		
Rev D		
Rev E		

**QTRCO, Inc.**

QD and QS10SR with Jackscrew  
 8" Handwheel

**PROPRIETARY AND CONFIDENTIAL**

THE INFORMATION CONTAINED IN THIS DRAWING IS THE SOLE PROPERTY OF QTRCO, INC. ANY REPRODUCTION IN PART OR AS A WHOLE WITHOUT THE WRITTEN PERMISSION OF QTRCO, INC. IS PROHIBITED.

MATERIAL
PROCESS
DO NOT SCALE DRAWING

SIZE **A** DWG. NO. QD10SR-JS8-DIM-01A

WEIGHT (Pounds):

SHEET \_\_\_\_ OF \_\_\_\_  
 1 of 1 if not shown